

# No-Ha Collection

Installation pictures

# No-Ha 2.0 mini

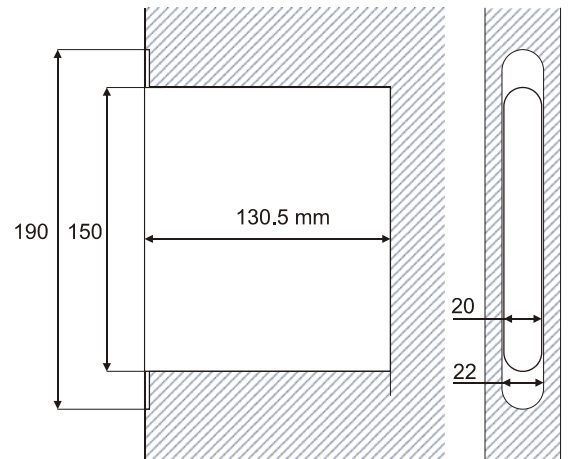
## Nm 938 & Nm 937 Cartel /Locco



1

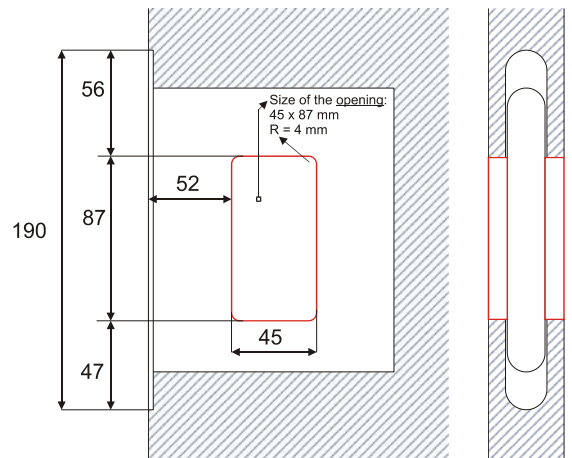


- Standard tool
- Depth: 130.5 mm
- Width: 20 mm



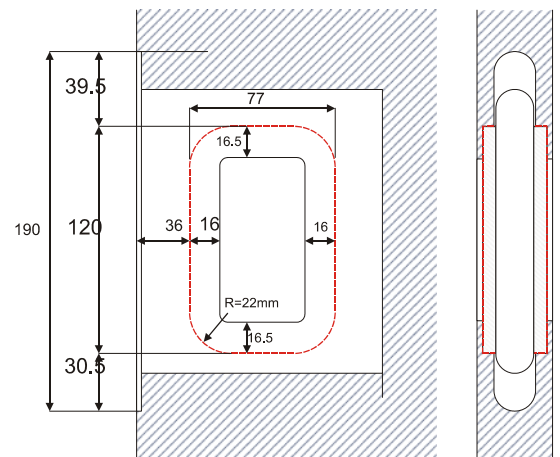
2

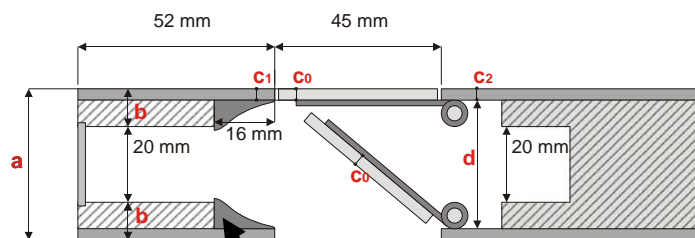
- Standard tool - Ø 8 mm



3

- Special tool
- Ø 44 mm
- Code: Z44





**4** Insert 2 black plastic pieces and fixed them strongly with the white adhesive tape in kit..



**5** Prepare the lock: Glue the black sticker to the bottom in the showed way.



- No function
- Only aesthetical when you look inside the door.

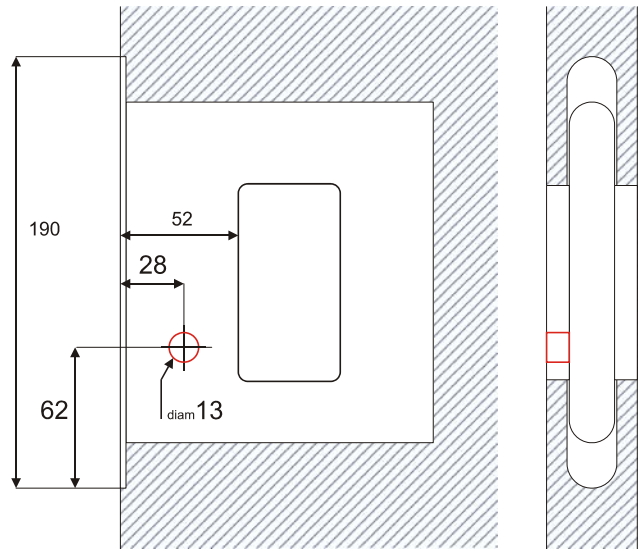
**6** Insert the lock in the door and fix the lock in the front with 2 screws. Test the lock



**7** After testing the lock install the finished coverplates.



# Nm 937 + Locco + Cartel



1

2

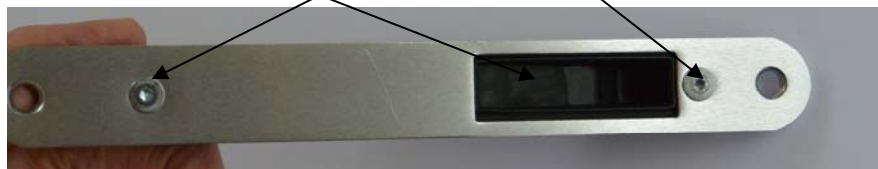


3

4 & 5

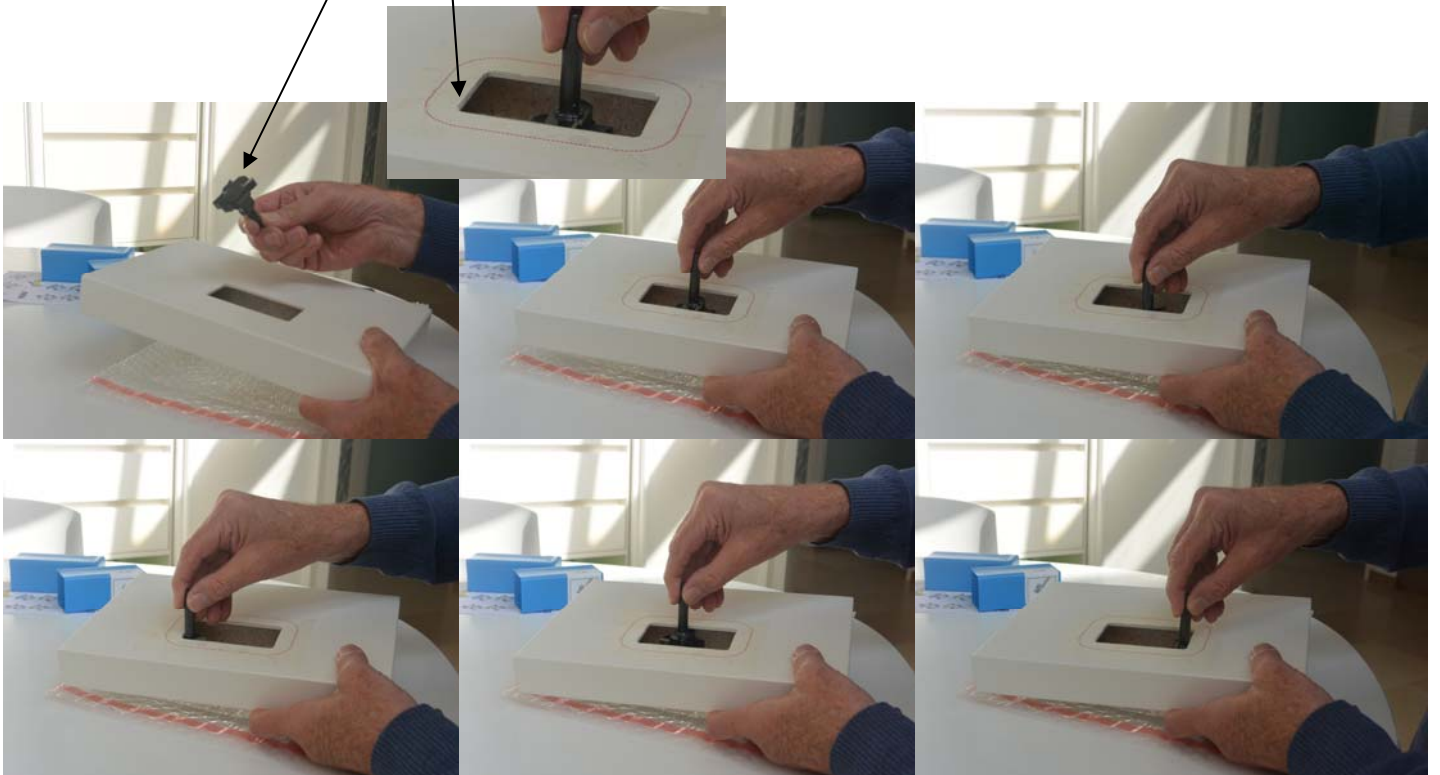


Striking plate: adjustable position by using the 2 screws

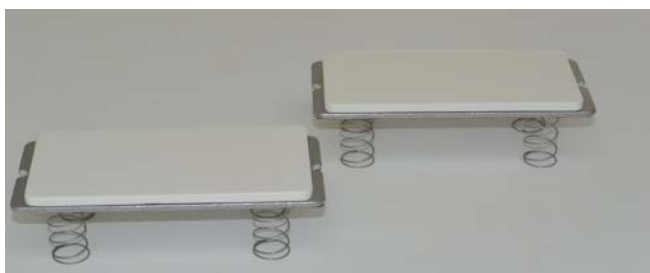


## No-Ha 2.0 Slide NS 200 & NS205 & NS210

- Start with an opening of 45mm x 87mm with a cutter (diameter 8mm).
- Use than a cutter (diameter 44mm-special size) to make the opening inside the door **as mentioned in the instructions.**( see red line )



- The coverplates,- the finishing layer must be fixed with glue to the aluminium springtables





- Proceed with entering all the pieces inside the door as demonstrated. Please follow the instructions.

For the NS 205 (1) and NS 210 you need the white piece between the 2 black pieces

